

This document contains confidential and proprietary information of ILC Technology Inc. The contents shall not be disclosed, reproduced, duplicated, disseminated or used for purposes other than authorized in writing by ILC Technology Inc.

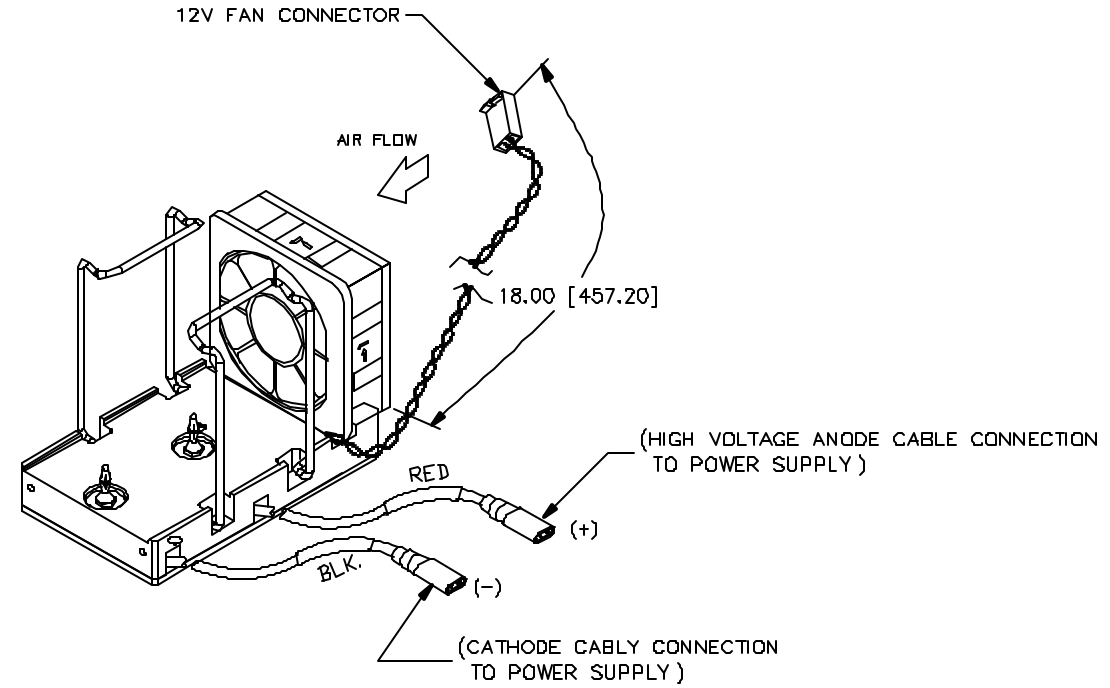
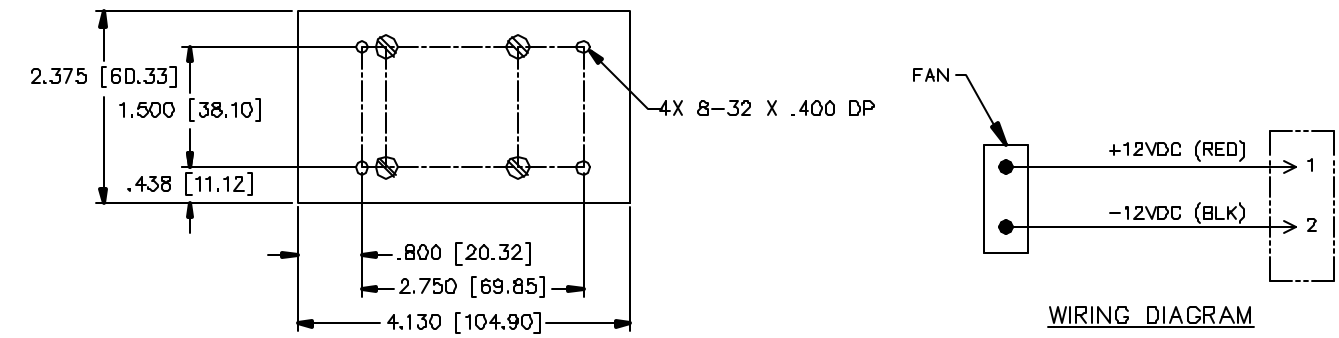
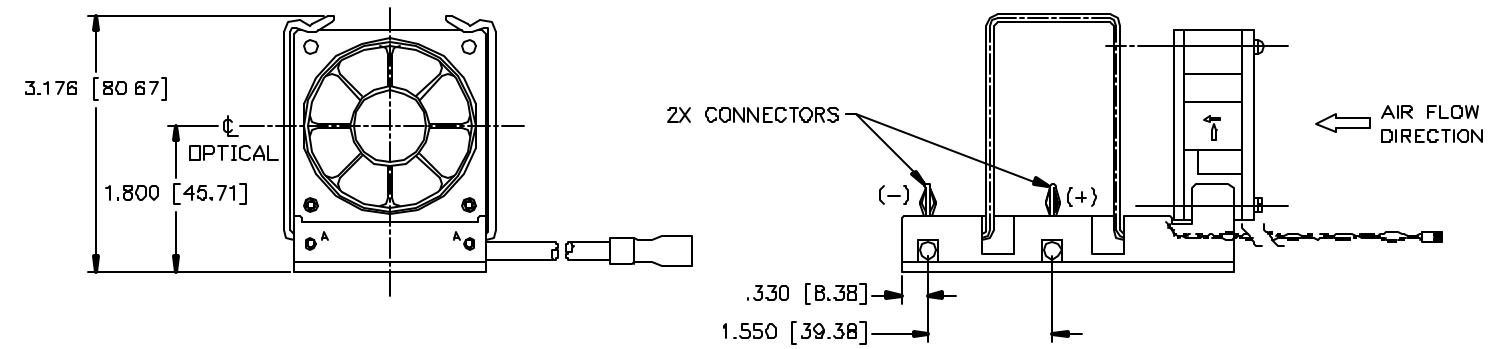
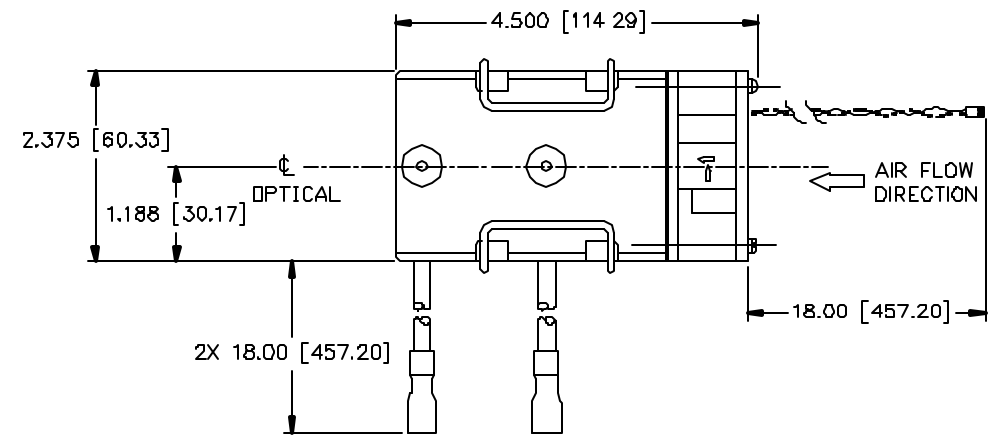
REVISIONS				
ZONE	REV.	DESCRIPTION	DATE	APPROVED
B2	X4	Changed Dimension	9/11/01	M. Iguchi

NOTES:

1. THIS DRAWING APPLIES TO MODEL NUMBER: HX5.
2. DIMENSIONS IN BRACKETS ARE IN MILLIMETERS.
3. BASE SPECIFICATIONS:

ENVIRONMENTAL:
OPERATING TEMPERATURE 6°-45°C
STORAGE TEMPERATURE -40°-70°C
RELATIVE HUMIDITY 30°-85° NON-CONDENSING.
MECHANICAL:
BASE: BLACK NYLON 6/6 20% GLASS FILLED (UL94V0)
OTHER:
H.V. BOARD CONNECTION (2 EA.) 20 AMP PINS (Ø.175)
CABLE: HIGH VOLTAGE 30KVDC RATING.
FAN: 12VDC, BALL BEARING, 41 dBA NOISE RATING.
AIR FLOW RATED @ = 22 CFM, MAX. AIR FLOW.
LAMP TYPE INTENDED: 'A' STYLE.
COMPATIBLE EQUIPMENT = SEE CERMAX PRODUCT MATRIX

4. ALL SPECIFICATIONS ARE SUBJECT TO CHANGE WITHOUT NOTICE. WARRANTY AND TERMS TO BE QUOTED SEPARATELY.



MOUNTING HOLES HX5 HOLDER INTERFACE CONTROL DRAWING.

UNLESS OTHERWISE SPECIFIED DIMENSIONS ARE IN INCHES TOLERANCES ARE: FRACTIONS DECIMALS ANGLES $\pm 1/32$.XX $\pm .02$ $\pm 1.0^\circ$.XXX $\pm .005$ SURFACE ROUGHNESS: 125 ✓ MATERIAL: FINISH:	CONTRACT NO.		Technology, Inc.				
	APPROVALS		DATE	TITLE			
	DRAWN BY J. HUYNH		04/19/00	HX5 HOLDER			
	CHECKED			SIZE	CAGE CODE	DWG. NO.	
	ENGR J. HUYNH		04/19/00	B	31573	226199	REV X4
	PROJ. ENGR.			SCALE	1/1	DO NOT SCALE DRAWING	SHEET 1 OF 1
	QA						
	M & P						