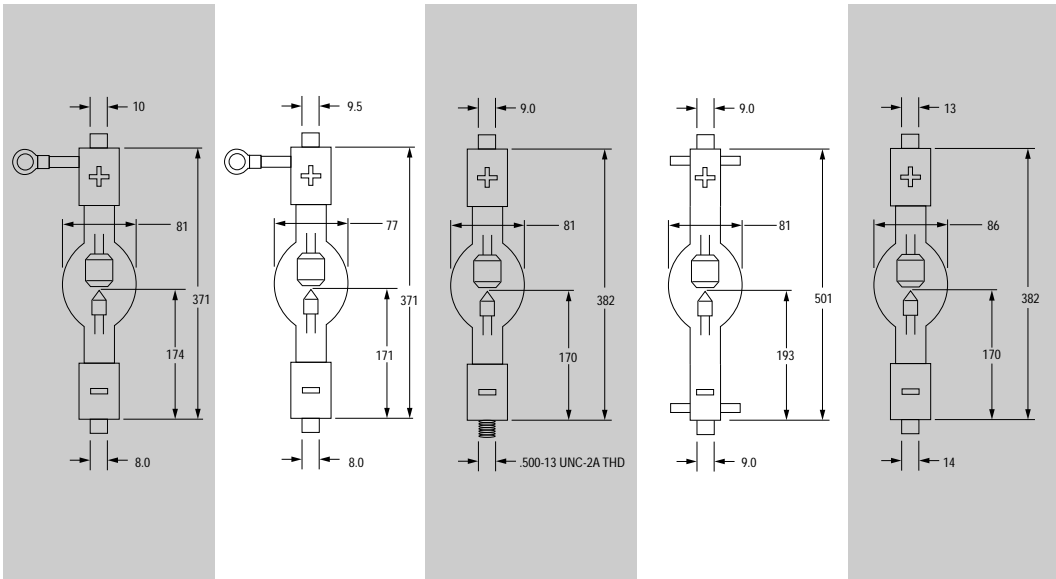


DRAWINGS (mm)



PART NUMBER

XM4500HSC

XM4500-5HS

XM4500-9HS

XM4500-11HS

XM5000H/V

SPECIFICATIONS

POWER (W)

4500

4500

4500

4500

5000

CURRENT(A)

140

140

140

145

150

VOLTAGE (V)

32

32

32

31

33

IGN. VOLTAGE (V)

30K

30K

30K

30K

30K

MINIMUM OPEN
CIRCUIT VOLTAGE (V)

100+

100+

100+

100+

100+

AVERAGE LUMEN OUTPUT

190,000

190,000

190,000

190,000

225,000

AVERAGE LIFE
(HOURS)

1250

1000

1000

1000

1000

MIN/MAX CURRENT (A)

130/145

130/145

130/145

135/150

128/155

ARC GAP (mm)

7.2

7.1

7.1

7.2

8.4