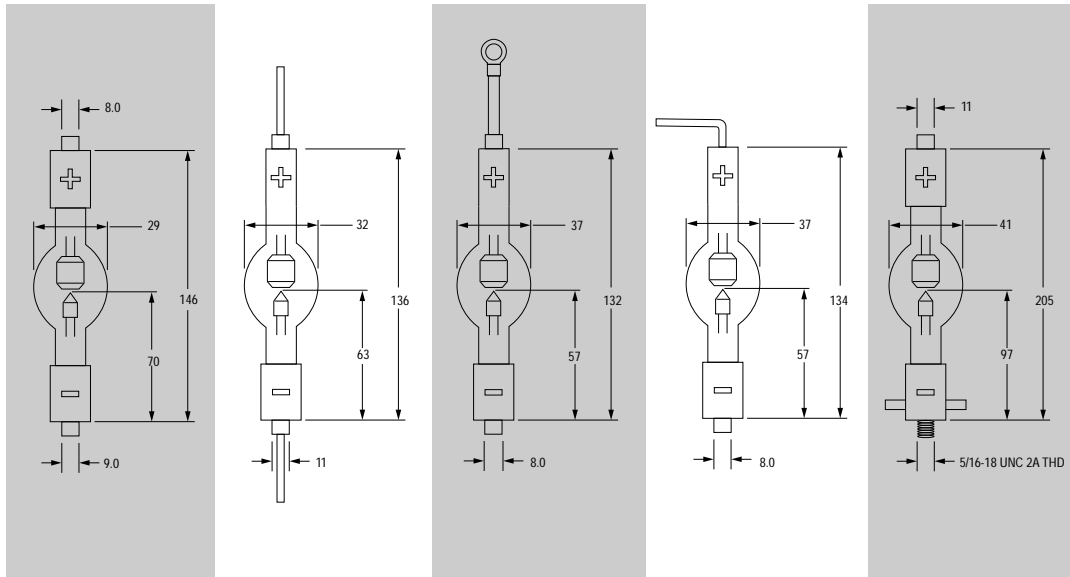


DRAWINGS (mm)



PART NUMBER

XM500-7HS

XM504HS

XM505HS

XM505-3HS

XM750HS

SPECIFICATIONS

POWER (W)

500

500

750

750

750

CURRENT(A)

25

25

37

37

37

VOLTAGE (V)

15

20

20

20

20

IGN. VOLTAGE (V)

15K

15K

15K

15K

20K

MINIMUM OPEN
CIRCUIT VOLTAGE (V)

80+

60+

60+

60+

80+

AVERAGE LUMEN OUTPUT

14,000

14,000

14,000

14,000

20,000

AVERAGE LIFE
(HOURS)

2000

1000

1000

1500

1500

MIN/MAX CURRENT (A)

20/26

23/27

34/39

34/39

30/45

ARC GAP (mm)

0.8

3.1

3.1

3.1

2.9